



US00D862985S

(12) **United States Design Patent**
Backs

(10) **Patent No.:** **US D862,985 S**
(45) **Date of Patent:** **** Oct. 15, 2019**

(54) **BEVERAGE CONTAINER**

(71) Applicant: **CamelBak Products, LLC**, Petaluma, CA (US)

(72) Inventor: **Jochen Backs**, Mill Valley, CA (US)

(73) Assignee: **CamelBak Products, LLC**, Petaluma, CA (US)

(**) Term: **15 Years**

(21) Appl. No.: **29/649,580**

(22) Filed: **May 31, 2018**

(51) **LOC (12) Cl.** **07-01**

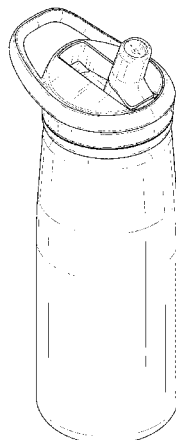
(52) **U.S. Cl.**
USPC **D7/511; D9/516**

(58) **Field of Classification Search**
USPC D7/510, 511, 608, 300.1, 591, 392.1, D7/396.2, 529, 533-536; D9/516, 523, D9/525, 527, 528
CPC A47G 19/22; A47G 19/2205; A47G 19/2222; A45F 3/16; B65D 41/04; B65D 43/02; B65D 47/066; B65D 47/08
See application file for complete search history.

4,282,991 A	8/1981	Hazard
4,485,963 A	12/1984	Panucci
4,607,755 A	8/1986	Andreozzi
4,836,404 A	6/1989	Coy
4,852,762 A	8/1989	Chou-Sheng
4,860,934 A	8/1989	Komischke
4,925,042 A	5/1990	Chong
D318,621 S	7/1991	Venne
5,060,833 A	10/1991	Edison et al.
5,065,909 A	11/1991	Pino et al.
5,085,336 A	2/1992	Lynd
5,085,349 A	2/1992	Fawcett
5,101,991 A	4/1992	Morifuji et al.
5,125,543 A	6/1992	Rohrabacher et al.
D334,341 S	3/1993	Brown et al.
5,203,468 A	4/1993	Hsu
5,242,079 A	9/1993	Stephens et al.
5,273,172 A	12/1993	Rosbach et al.
5,292,021 A	3/1994	Lyon
5,301,858 A	4/1994	Hollander
5,307,950 A	5/1994	Li
5,332,131 A	7/1994	Pehr
5,392,968 A	2/1995	Dark
5,433,353 A	7/1995	Flinn
5,433,535 A	7/1995	Hah
5,465,866 A	11/1995	Belcastro
5,518,142 A	5/1996	Lin
5,520,304 A	5/1996	Lin
D370,828 S	6/1996	Green
5,553,726 A	9/1996	Park
5,582,315 A	12/1996	Reid
5,601,207 A	2/1997	Paczonay
5,607,087 A	3/1997	Wery et al.
D387,621 S	12/1997	Sullivan et al.
5,699,933 A	12/1997	Ho et al.
5,730,336 A	3/1998	Lerner
5,755,368 A	5/1998	Bekkedahl
5,791,510 A	8/1998	Paczonay
5,806,726 A	9/1998	Ho
5,873,478 A	2/1999	Sullivan et al.
5,884,793 A	3/1999	Wang
5,897,013 A	4/1999	Manganiello
5,911,406 A	6/1999	Winefordner et al.
D416,755 S	11/1999	Trombly
6,021,801 A	2/2000	Sheppard
6,032,831 A	3/2000	Gardner et al.
6,050,433 A	4/2000	Russell et al.
6,050,445 A	4/2000	Manganiello
6,059,154 A	5/2000	Bigotte et al.
6,070,767 A	6/2000	Gardner et al.
6,095,382 A	8/2000	Gross
6,116,458 A	9/2000	Dark
D437,528 S	2/2001	Kitamura et al.

(56) **References Cited**
U.S. PATENT DOCUMENTS

1,163,805 A	12/1915	Bonn et al.
1,588,218 A	6/1926	Wiswell
1,788,795 A	1/1931	Hoban
D182,556 S	4/1958	Werry
2,844,267 A	7/1958	Petriccione
2,936,934 A	5/1960	Kubiliunas
3,023,939 A	3/1962	Gustafson
3,179,301 A	4/1965	Lucht
3,181,743 A	5/1965	Libit et al.
3,283,967 A	11/1966	Akers
3,294,293 A	12/1966	Johns
3,392,887 A	7/1968	Bross
3,739,938 A	6/1973	Paz
3,972,443 A	8/1976	Albert
D243,720 S	3/1977	Yajima
4,090,650 A	5/1978	Gotta
4,212,408 A	7/1980	Valenzona



6,196,413	B1	3/2001	Tung
6,199,729	B1	3/2001	Drzymkowski
6,212,959	B1	4/2001	Perkins
6,264,166	B1	7/2001	Bowland et al.
6,276,560	B1	8/2001	Belcastro
6,279,772	B1	8/2001	Bowman
6,279,773	B1	8/2001	Kiyota
6,283,344	B1	9/2001	Bradley
6,290,108	B1	9/2001	Gross
6,364,168	B1	4/2002	Gardner et al.
6,390,341	B1	5/2002	Ohmi et al.
6,422,415	B1	7/2002	Manganiello
6,446,844	B1	9/2002	Gross
6,497,348	B2	12/2002	Forsman
6,513,686	B1	2/2003	Ben-Sasson
6,523,711	B1	2/2003	Hughes et al.
6,557,721	B2	5/2003	Yang
6,598,768	B2	7/2003	Celli
6,607,092	B2	8/2003	Manganiello et al.
6,609,624	B2	8/2003	Goto et al.
6,675,998	B2	1/2004	Forsman et al.
6,698,716	B2	3/2004	Yang
6,708,950	B2	3/2004	Christensen et al.
6,719,273	B1	4/2004	Yang
D489,978	S	5/2004	Brown
6,742,681	B1	6/2004	Yang
6,745,915	B2	6/2004	Rees
6,764,064	B2	7/2004	Sturm et al.
6,783,115	B1	8/2004	Yang
6,837,400	B2	1/2005	Leoncavallo et al.
6,854,888	B1	2/2005	Brown et al.
6,908,015	B2	6/2005	Choi et al.
6,915,961	B2	7/2005	Renz et al.
6,994,225	B2	2/2006	Hakim
7,014,077	B2	3/2006	Brown
7,032,764	B2	4/2006	Viggiano
7,048,137	B2	5/2006	Leoncavallo et al.
7,059,490	B2	6/2006	Son
7,073,688	B2	7/2006	Choi et al.
D530,199	S	10/2006	Kitamura et al.
D532,557	S	11/2006	Bakic
D533,061	S	12/2006	Li et al.
D547,606	S	7/2007	Forsman
D547,607	S	7/2007	Forsman
7,533,783	B2	5/2009	Choi et al.
D626,837	S *	11/2010	Meyers D9/443
8,602,238	B2	12/2013	El-Saden et al.
8,701,928	B2	4/2014	Samson
D729,569	S *	5/2015	Herbst D7/392
D748,430	S *	2/2016	Sorensen D7/392.1
D756,702	S *	5/2016	Joseph D7/392.1
9,380,898	B2 *	7/2016	Mason A47G 19/2272
9,392,893	B2 *	7/2016	Sorensen A47J 43/27
D763,688	S *	8/2016	Breit D9/443
D767,336	S *	9/2016	Waggoner D7/507
9,708,107	B2	7/2017	El-Saden et al.
D793,154	S *	8/2017	Sorensen D7/392.1
D814,855	S	4/2018	Hammer
D816,411	S	5/2018	Stover
2002/0033399	A1	3/2002	Manganiello et al.
2002/0040909	A1	4/2002	Goto et al.
2002/0092858	A1	7/2002	Bowman
2002/0092877	A1	7/2002	Bowman
2002/0148806	A1	10/2002	Cheng
2002/0166990	A1	11/2002	Yang
2002/0185495	A1	12/2002	Manganiello
2003/0085232	A1	5/2003	Leinenweber
2003/0102318	A1	6/2003	Lee
2003/0116573	A1	6/2003	Clark et al.
2003/0168462	A1	9/2003	Kiyota
2003/0173536	A1	9/2003	Christensen et al.
2003/0218015	A1	11/2003	Randolph et al.
2003/0222238	A1	12/2003	Getzewieh et al.
2004/0000551	A1	1/2004	Flink et al.
2004/0069783	A1	4/2004	Chen
2004/0079775	A1	4/2004	Choi et al.
2004/0089301	A1	5/2004	Choi et al.
2004/0159820	A1	8/2004	Yang
2004/0164043	A1	8/2004	Hakim

2004/0217139	A1	11/2004	Roth
2004/0217187	A1	11/2004	Renz et al.
2004/0222230	A1	11/2004	Samson et al.
2005/0029271	A1	2/2005	McDonough
2005/0029313	A1	2/2005	Robins et al.
2005/0045647	A1	3/2005	Hession et al.
2005/0056610	A1	3/2005	Randolph et al.
2005/0056652	A1	3/2005	Cezeaux
2005/0072788	A1	4/2005	Lieberman et al.
2005/0072804	A1	4/2005	Brown
2005/0115966	A1	6/2005	Leoncavallo et al.
2005/0133505	A1	6/2005	Yoneoka et al.
2005/0133519	A1	6/2005	McDonough
2005/0184075	A1	8/2005	Belcastro
2005/0205587	A1	9/2005	Samson et al.
2005/0218242	A1	10/2005	Renz et al.
2012/0187075	A1 *	7/2012	El-Saden B65D 47/066 215/389
2016/0207672	A1 *	7/2016	Wong B65D 43/0225

FOREIGN PATENT DOCUMENTS

CN	85106703	A	5/1986
CN	1198083	A	11/1998
CN	1394186	A	1/2003
EP	0266067	A1	5/1988
EP	1095599		5/2001
GB	2279130	A	12/1994
JP	2002-326655	A	11/2002
WO	WO 97/05055		2/1997
WO	WO 98/46106		10/1998
WO	WO 00/03946		1/2000
WO	WO 00/49922		8/2000
WO	WO 03/031315		4/2003

OTHER PUBLICATIONS

Camelbak Eddy Water Bottle | posted at Amazon.com, posted on Jan. 5, 2019, © 1996-2019 Amazon.com, [online], [site visited May 13, 2019]. Available from Internet, URL: <https://www.amazon.co.uk/Camelbak-Unisex-Adult-Water-Bottle/dp/B07HGSLDNQ/> (Year: 2019).*

English-language abstract of Chinese Patent No. CN 85106703 A, European Patent Office, May 10, 1986.

English-language abstract of Chinese Patent No. CN 1198083 A, European Patent Office, Nov. 4, 1998.

English-language abstract of Japanese Patent No. 2002-326655 A, European Patent Office, Nov. 12, 2002.

English-language abstract of Chinese Patent No. CN 1394186 A, European Patent Office, Jan. 29, 2003.

* cited by examiner

Primary Examiner — Derrick E Holland
Assistant Examiner — Andrew Kerr
 (74) *Attorney, Agent, or Firm* — Dascenzo Intellectual Property Law, P.C.; David S. D’Ascenzo

(57) CLAIM

The ornamental design for a beverage container, as shown and described.

DESCRIPTION

FIG. 1 is a perspective view of a beverage container showing the design.
 FIG. 2 is a front elevation view of the beverage container of FIG. 1.
 FIG. 3 is a side elevation view of the beverage container of FIG. 1.

FIG. 4 is rear elevation view of the beverage container of FIG. 1.

FIG. 5 is another side elevation view of the beverage container of FIG. 1.

FIG. 6 is a top plan view of the beverage container of FIG. 1.

FIG. 7 is a bottom plan view of the beverage container of FIG. 1.

FIG. 8 is another perspective view of the beverage container of FIG. 1.

FIG. 9 is another perspective view of the beverage container of FIG. 1.

FIG. 10 is another perspective view of the beverage container of FIG. 1.

FIG. 11 is a perspective view of a beverage container closure of the beverage container of FIG. 1.

FIG. 12 is a front elevation view of the beverage container closure of FIG. 11.

FIG. 13 is a side elevation view of the beverage container closure of FIG. 11.

FIG. 14 is a rear elevation view of the beverage container closure of FIG. 11.

FIG. 15 is another side elevation view of the beverage container closure of FIG. 11.

FIG. 16 is a top plan view of the beverage container closure of FIG. 11.

FIG. 17 is a bottom plan view of the beverage container closure of FIG. 11.

FIG. 18 is another perspective view of the beverage container closure of FIG. 11.

FIG. 19 is another perspective view of the beverage container closure of FIG. 11; and,

FIG. 20 is another perspective view of the beverage container closure of FIG. 11.

The broken lines in the drawings depict portions of the beverage container that form no part of the claimed design.

1 Claim, 12 Drawing Sheets

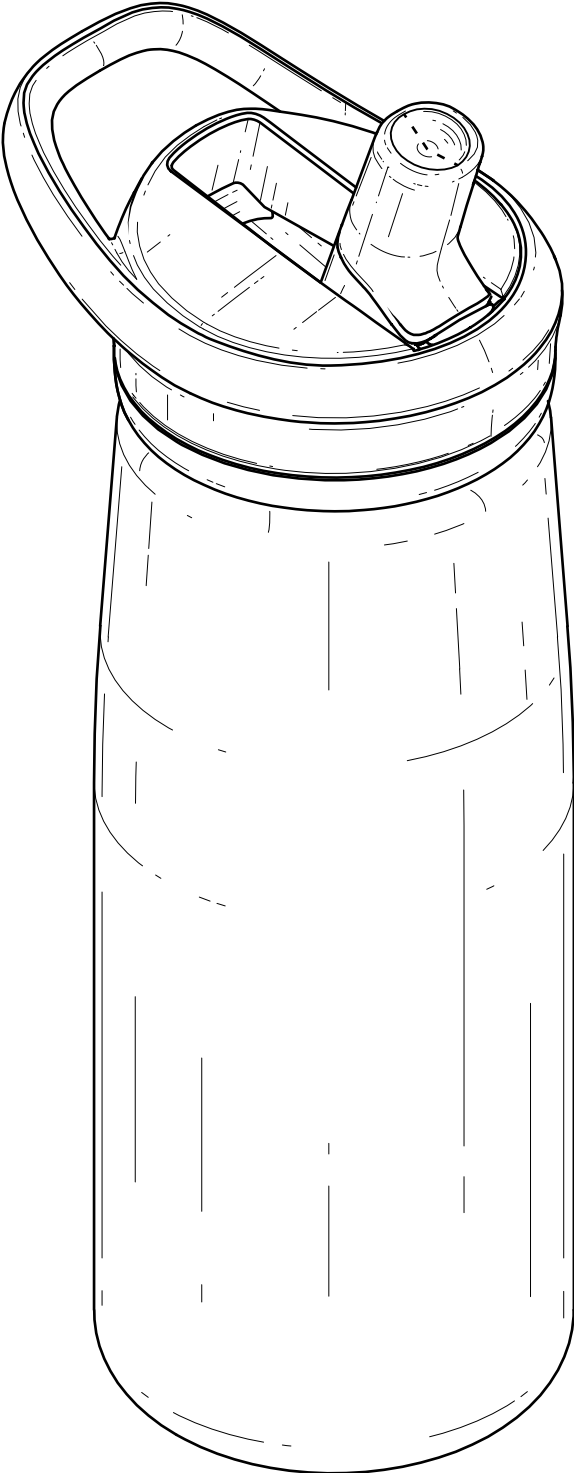


FIG. 1



FIG. 2

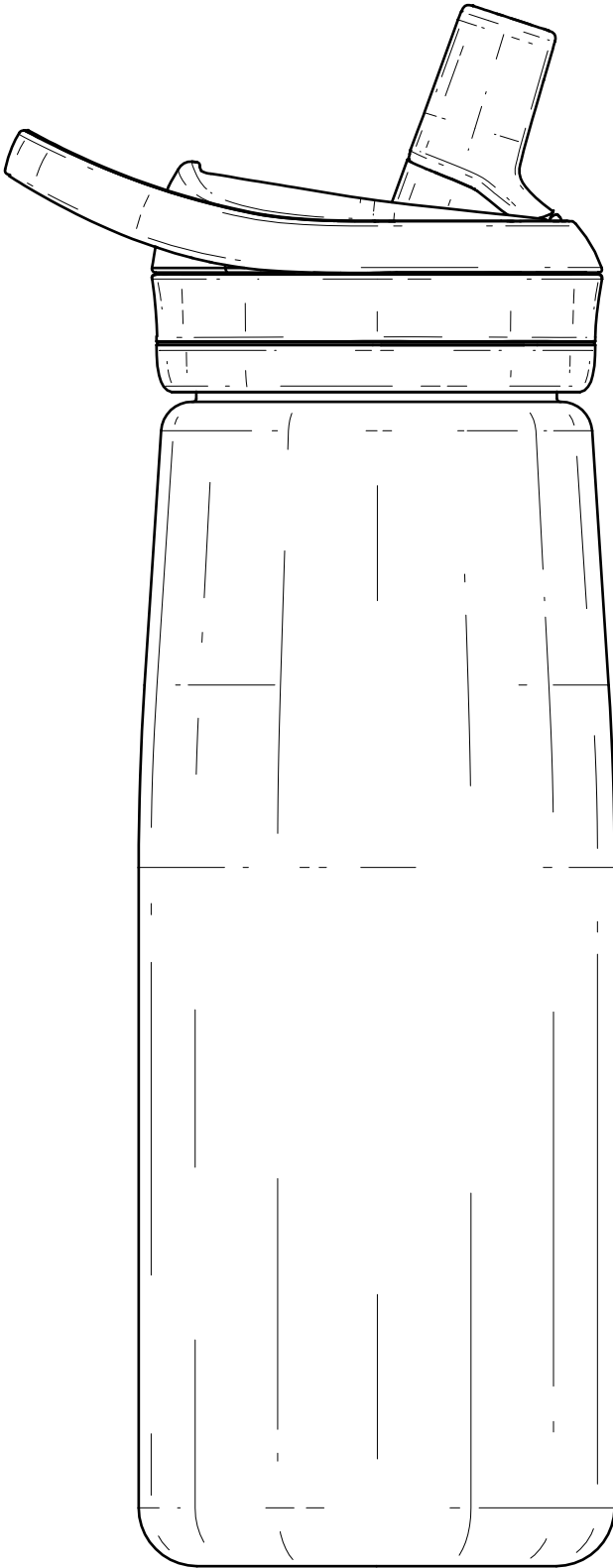


FIG. 3

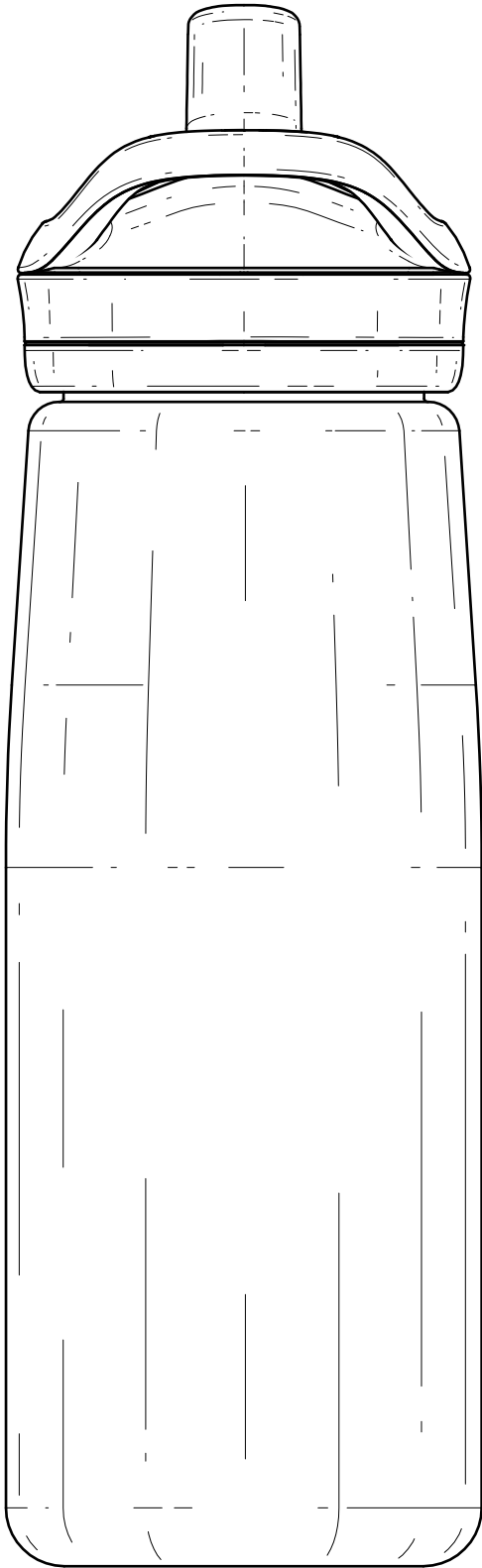


FIG. 4

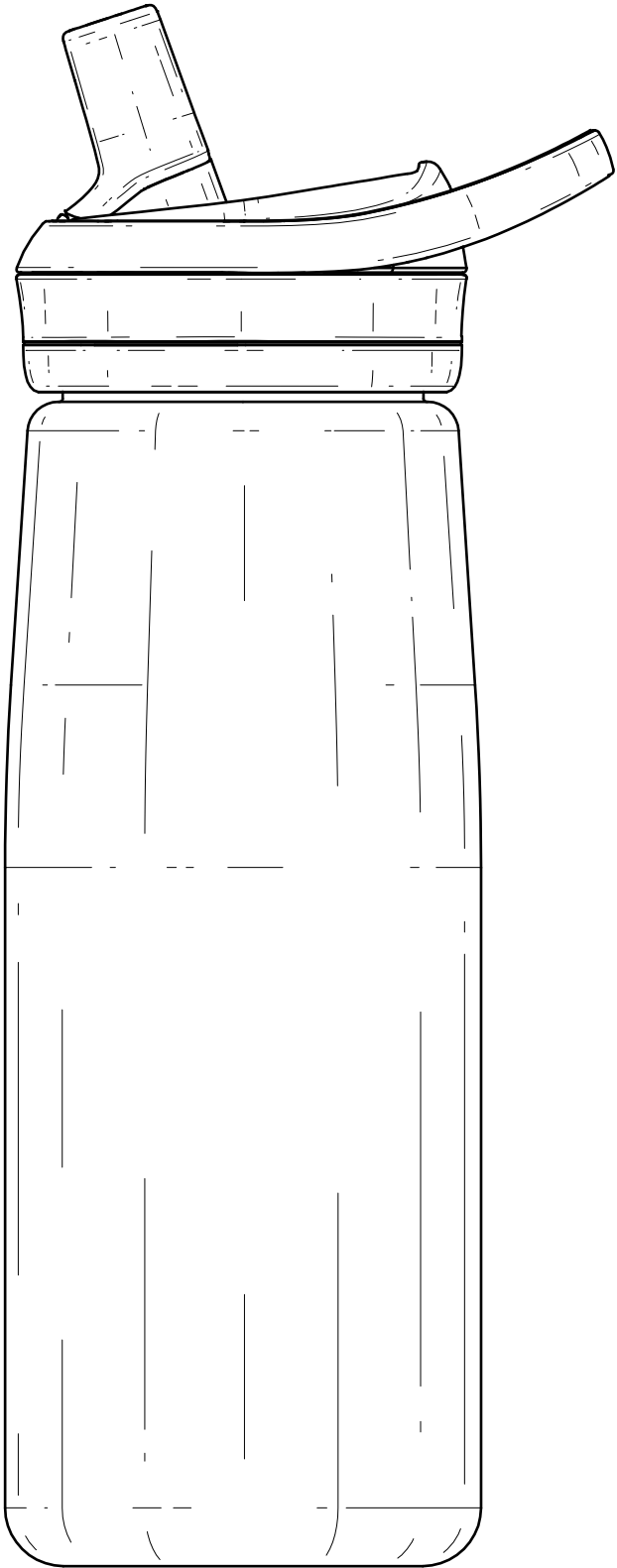


FIG. 5

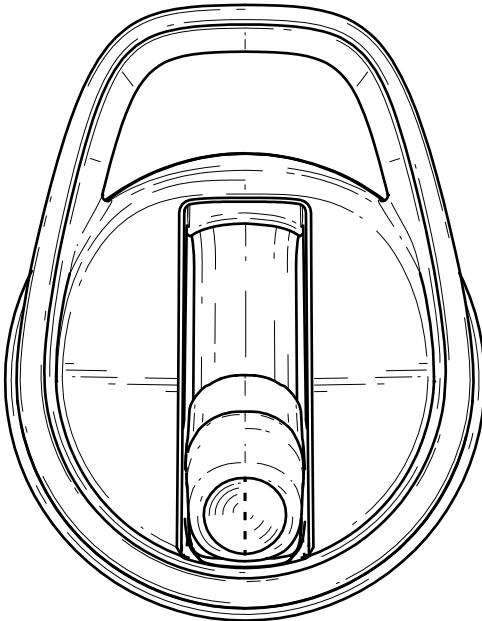


FIG. 6

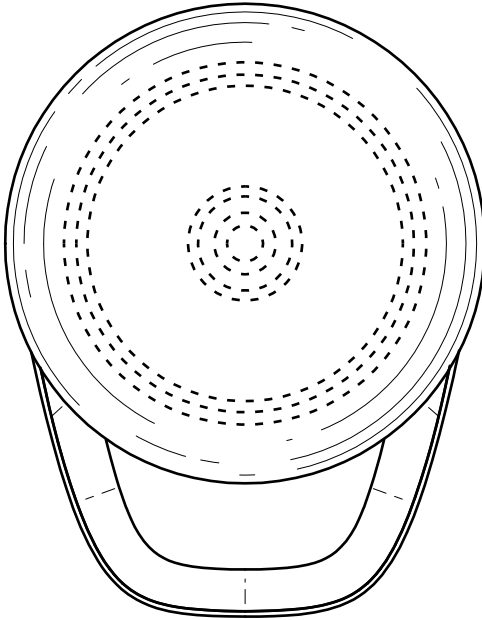


FIG. 7



FIG. 8

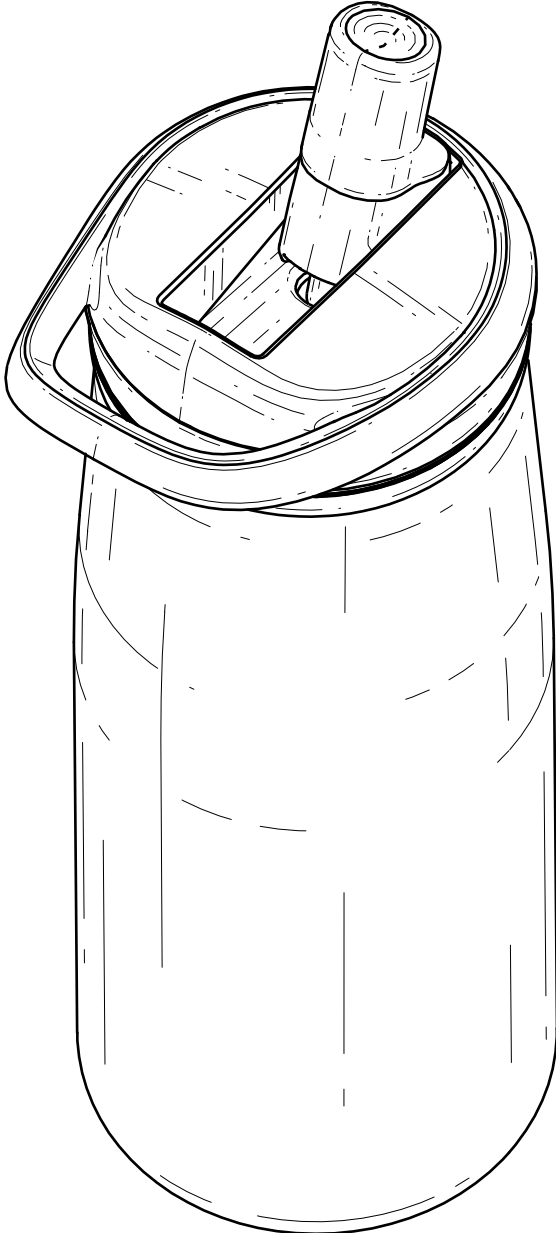


FIG. 9



FIG. 10

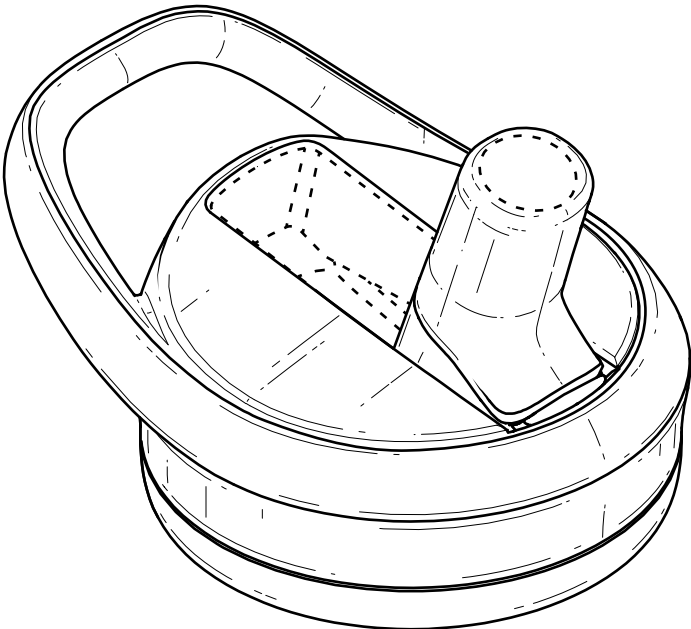


FIG. 11

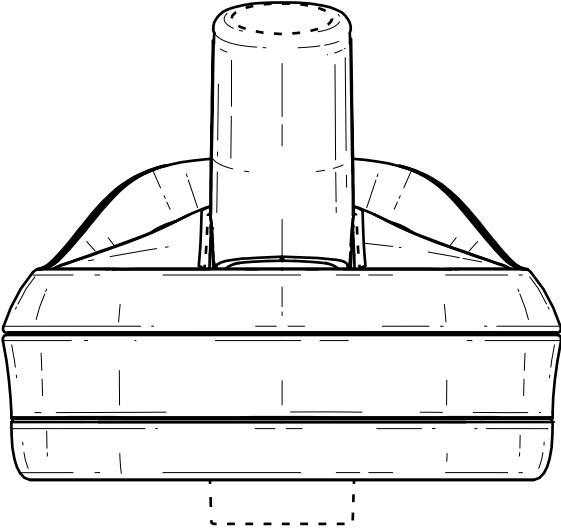


FIG. 12

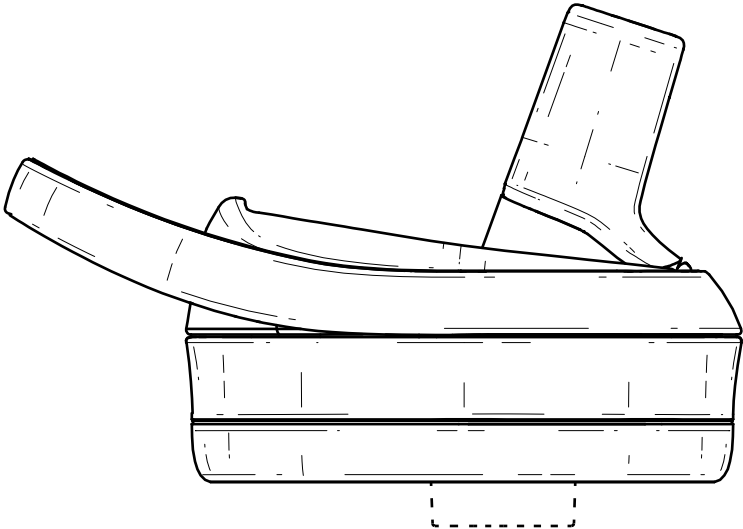


FIG. 13

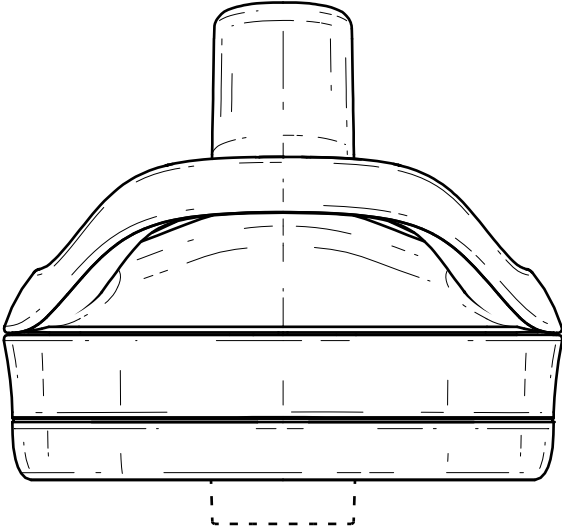


FIG. 14

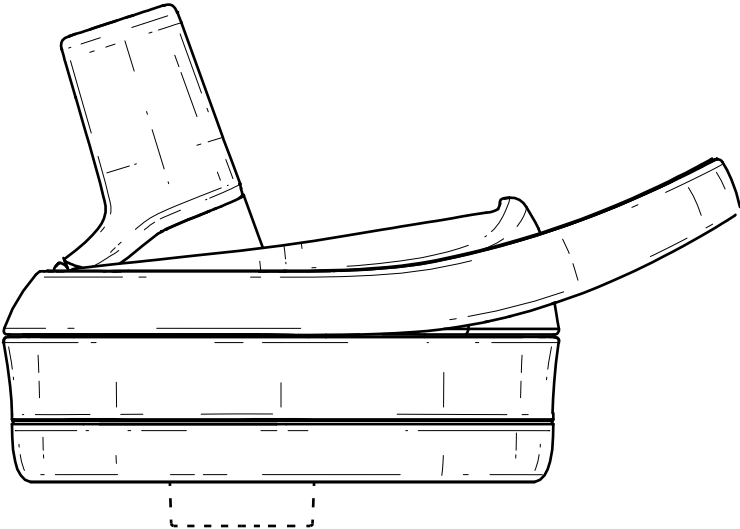


FIG. 15

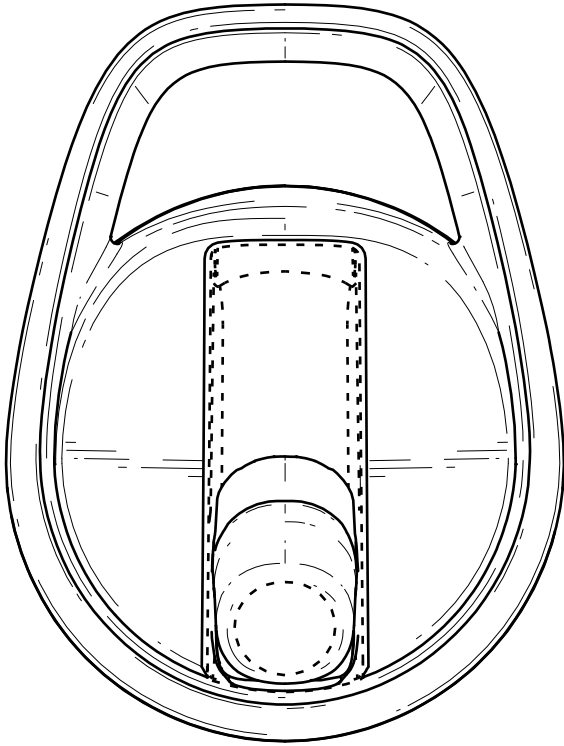


FIG. 16

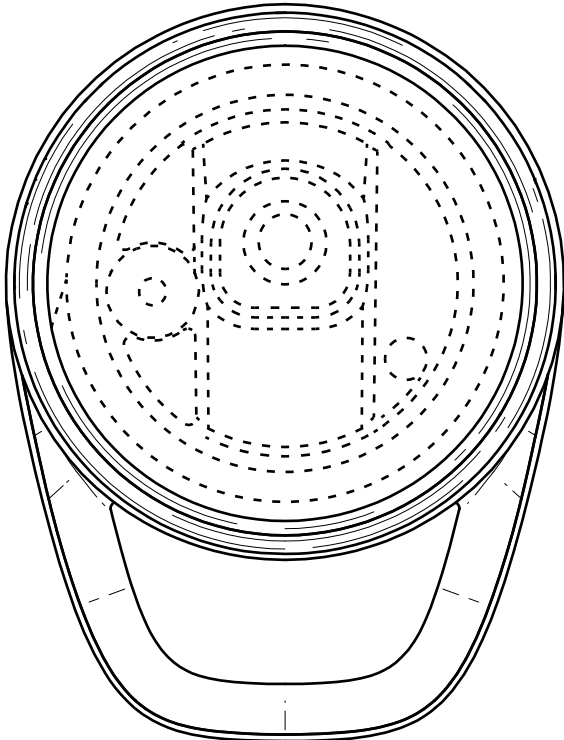


FIG. 17

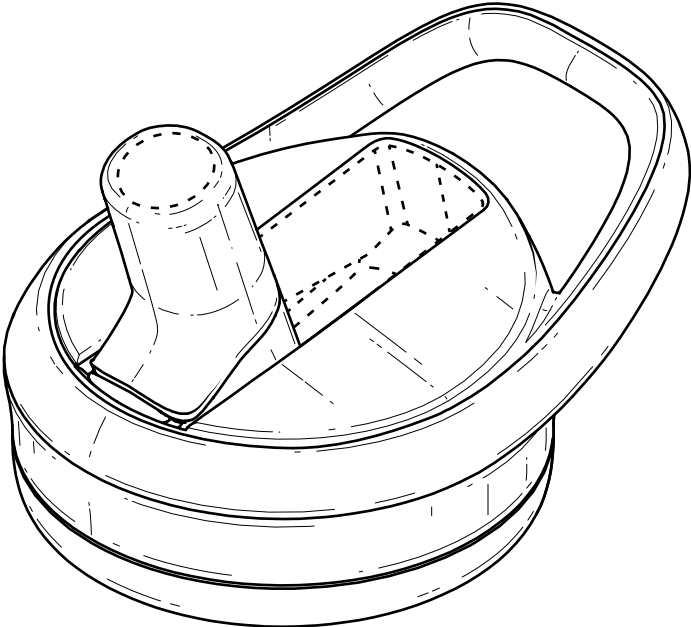


FIG. 18

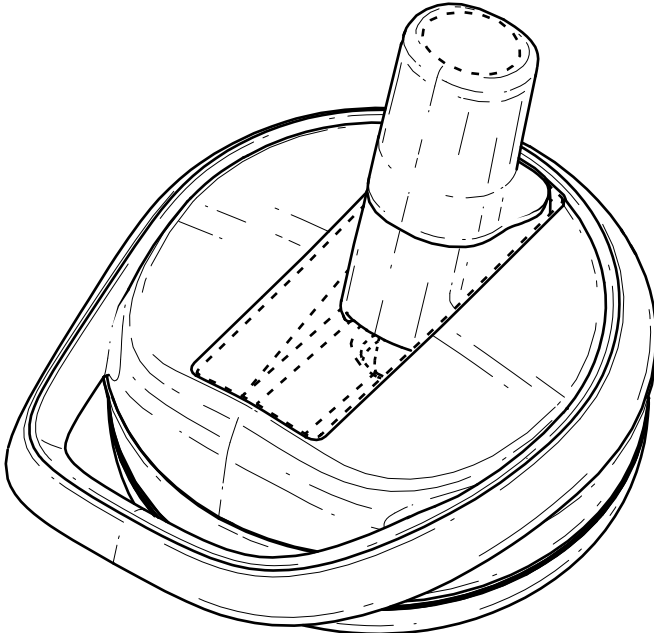


FIG. 19

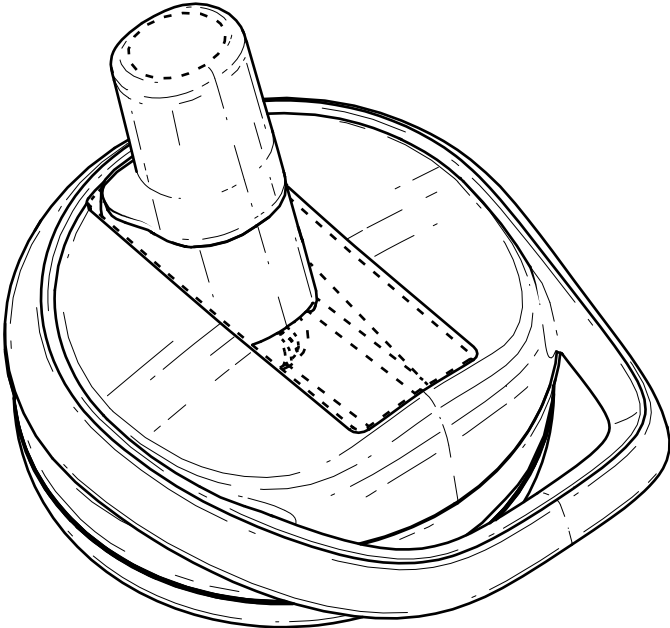


FIG. 20